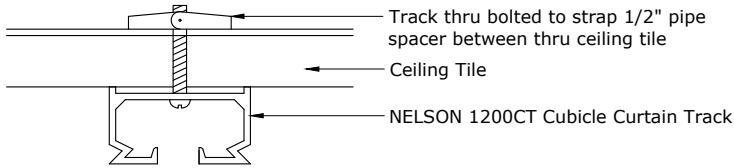
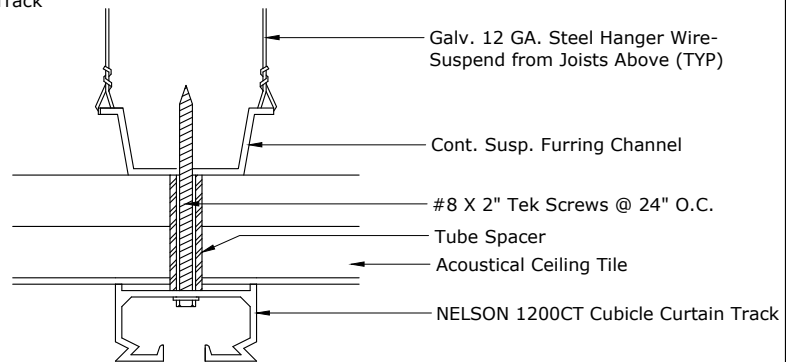


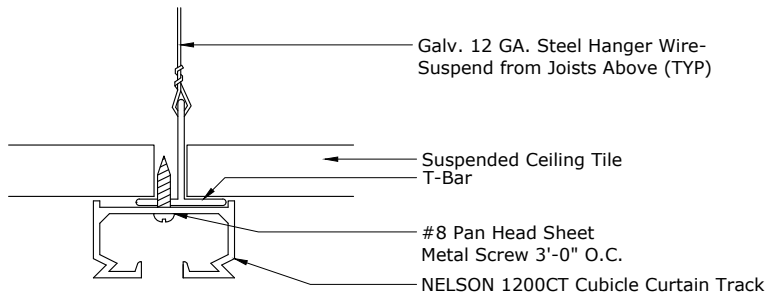
These details represent only a few of the possible methods for installing Cubicle and IV track. If specific procedures are outlined in contract documents, please verify with architect exactly which method to follow. Fastening devices noted here are to be used as guidelines only. Specific sizes and spacing must be determined by installer. No fastening devices or any above-ceiling supports are furnished with our track.



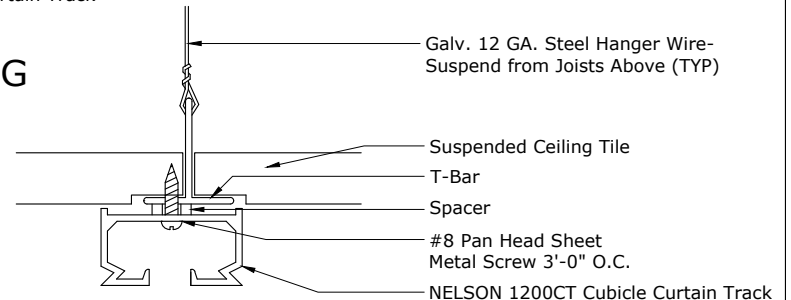
### SURFACE MOUNTED CUBICLE TRACK



### SUSPENDED TILE CEILING WITH HAT CHANNEL



### SUSPENDED ACOUSTICAL TILE CEILING



### SUSPENDED TEGULAR TILE CEILING

# CUBICLE TRACK MOUNTING DETAILS